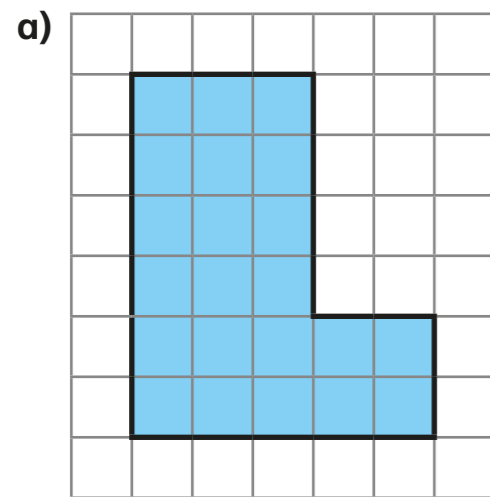
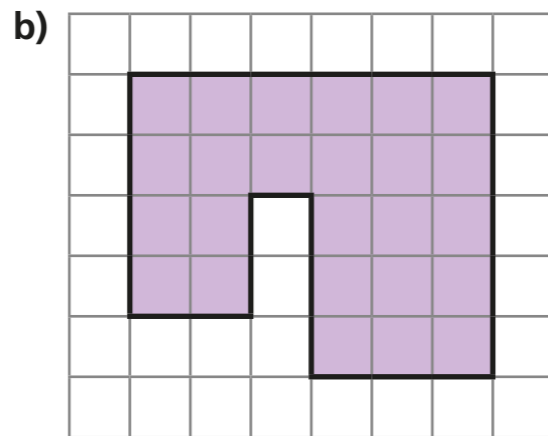


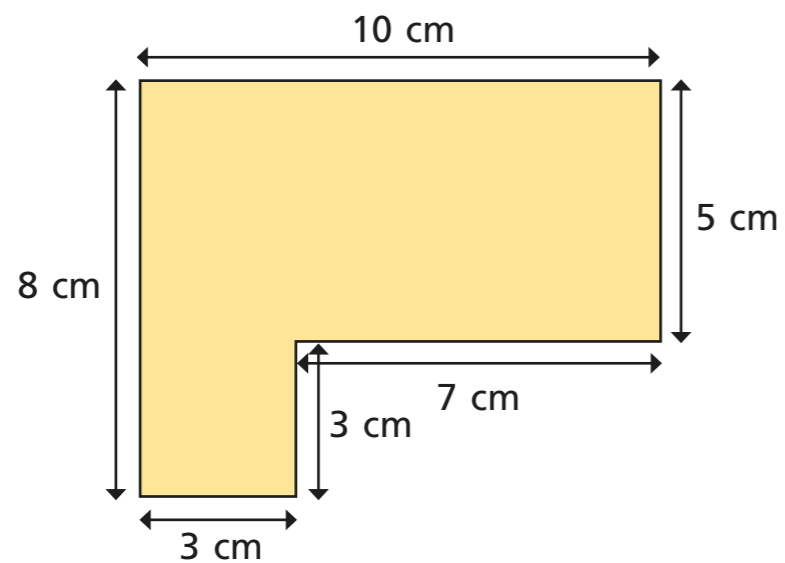
# Perimeter of rectilinear shapes

1 The length of each square on the grid is 1 cm.  
Work out the perimeter of the shapes.

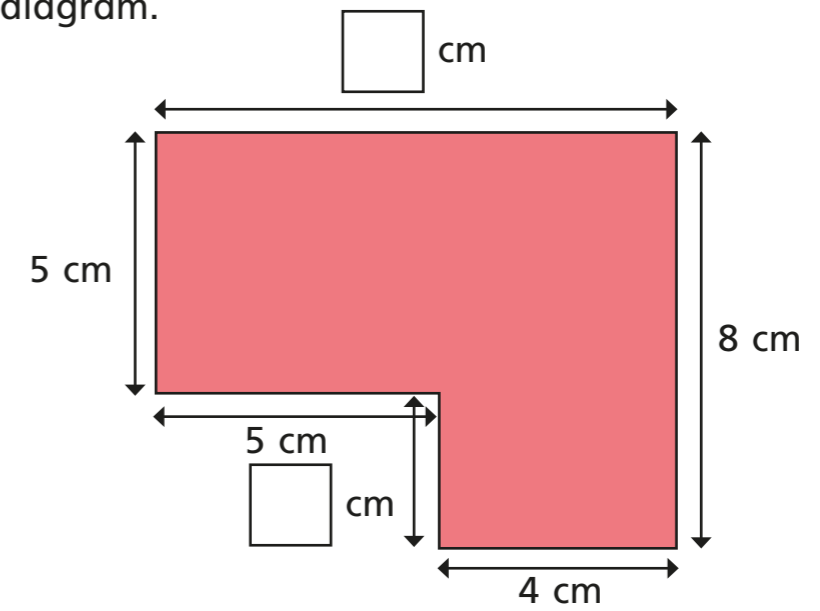





2 Work out the perimeter of the shape.

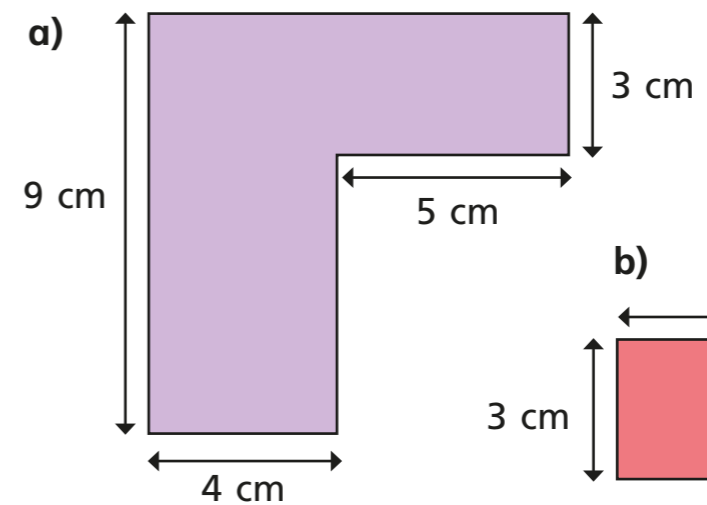


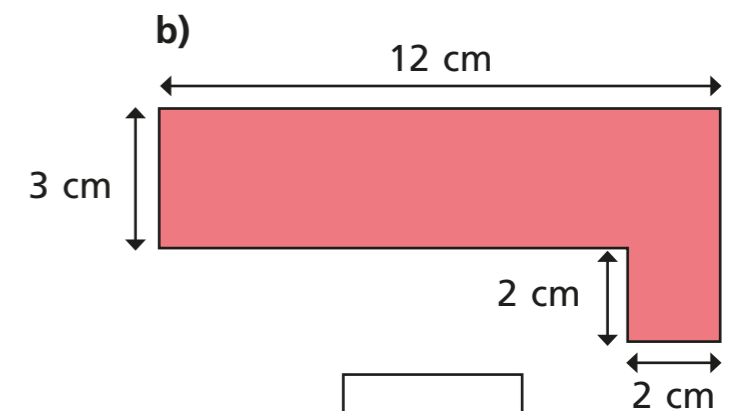

3 a) Work out the missing lengths and label them on the diagram.



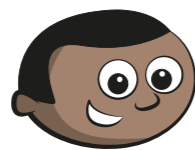
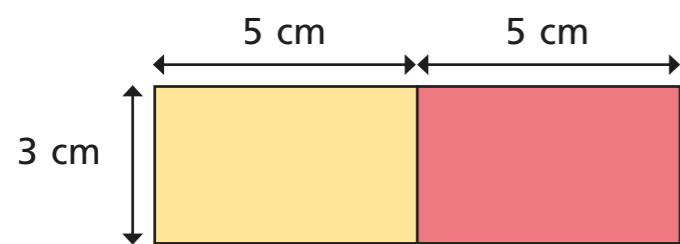
b) What is the perimeter of the shape?

4 Work out the perimeter of each shape.





- 5 Mo puts two 5 cm by 3 cm rectangles next to each other.



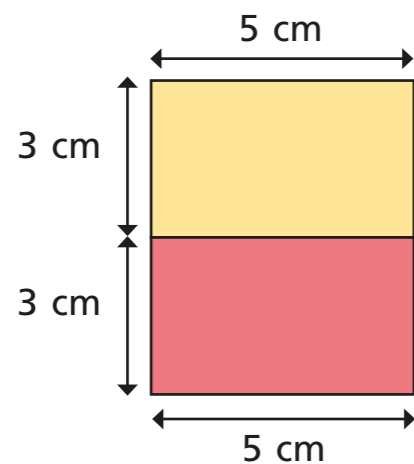
The perimeter of each small rectangle is 16 cm, so the perimeter of my larger rectangle must be  $2 \times 16 \text{ cm} = 32 \text{ cm}$ .

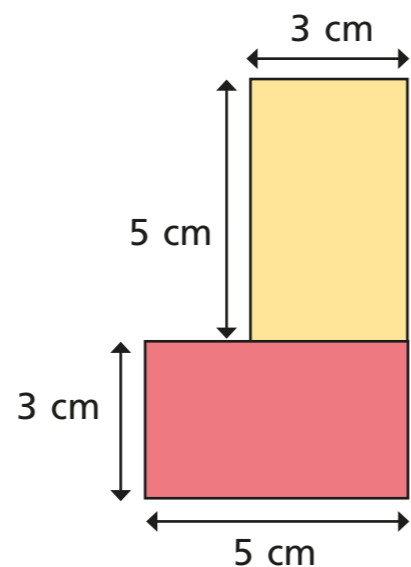
- a) Is Mo correct? \_\_\_\_\_

Work out the perimeter of the larger rectangle to check your answer.

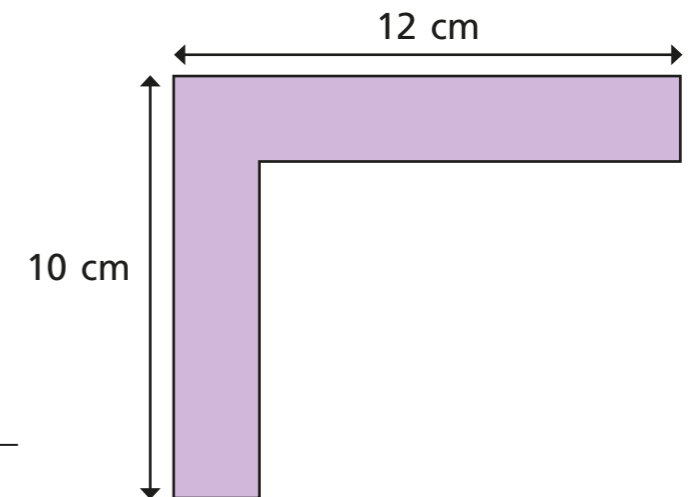
- b) Mo puts the rectangles together in different ways.

Work out the perimeter of each large shape.





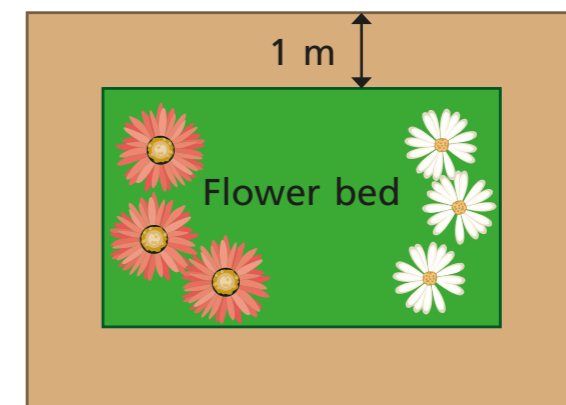

- 6 Dani thinks there isn't enough information to work out the perimeter of the shape.



Is Dani correct? \_\_\_\_\_

Explain your answer.

- 7 A rectangular flower bed is 5 m long and 3 m wide. The path around the flower bed is 1 m wide.



- a) What is the perimeter of the flower bed?

- b) What is the perimeter of the outside of the path?

